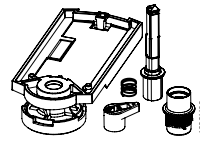


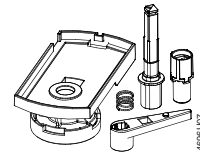
de Montageanleitung
en Mounting instructions
fr Instructions de montage
sv Monteringsinstruktion
nl Montage-aanwijzing
it Istruzioni di montaggio
fi Asennusohje
es Instrucciones de montaje
da Monteringsvejledning
pl Instrukcja montażu
cz Montážní návod
hu Szerelési útmutató
el Οδηγίες εγκατάστασης
zh 安裝指導

Aufbausatz
Mounting kit
Kit de montage
Monteringsatts
Opbouwset
Accoppiamento
Asennussarja
Equipo de montaje
Montasjesats
Zestaw montażowy
Montážní sada
Összeépítő készlet
Μοχλίσμός εγκατάστασης
安裝套件



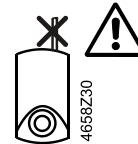
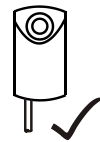
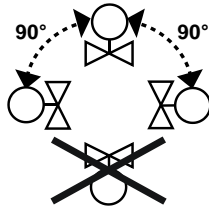
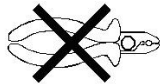
ASK77.2

V..61.., DN 15...50 + GMA..1E
 V..60.., DN 15...50 + GMA..1E



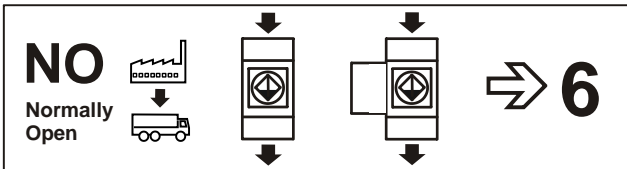
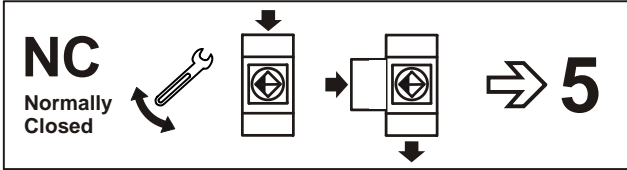
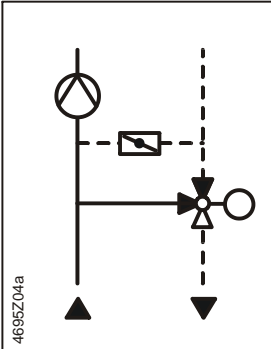
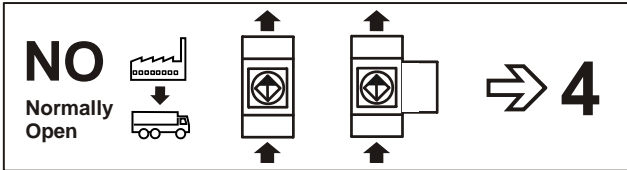
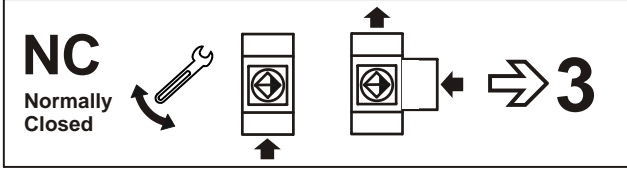
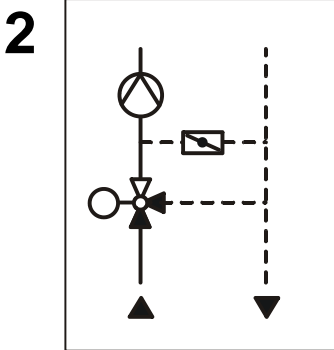
ASK77.3

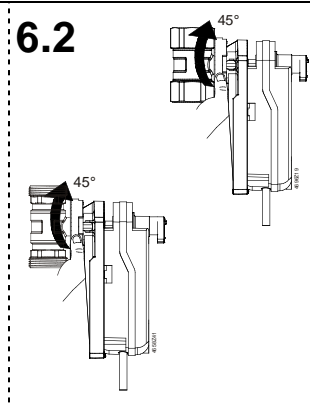
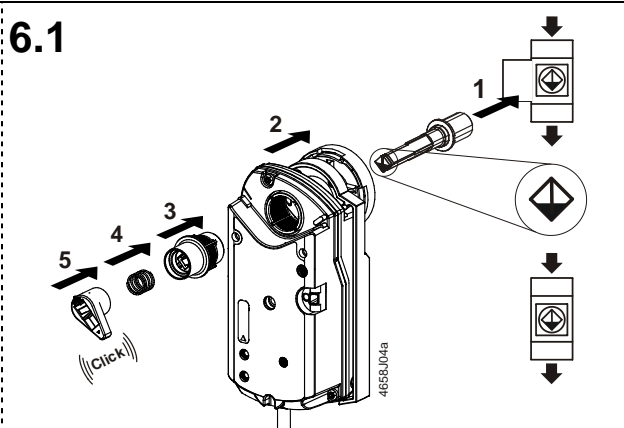
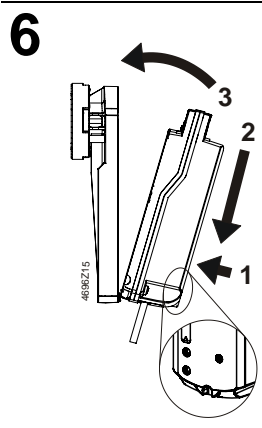
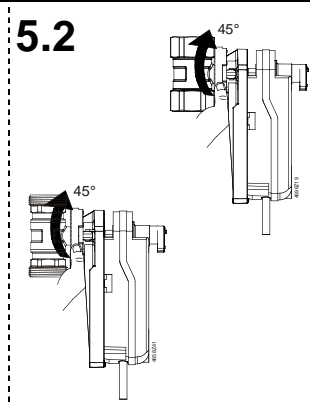
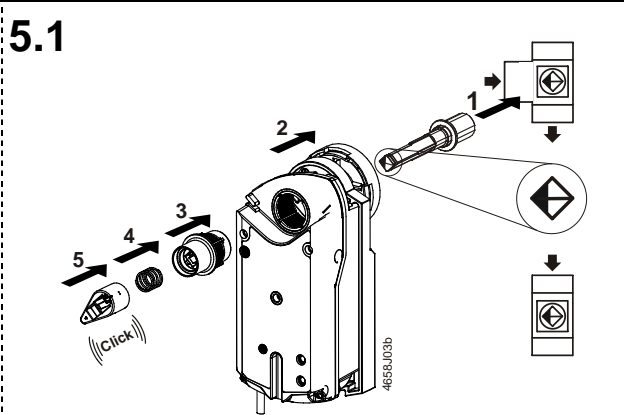
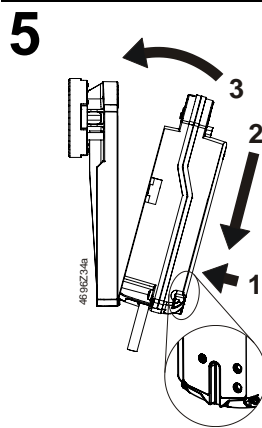
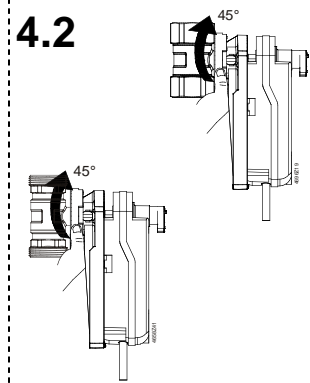
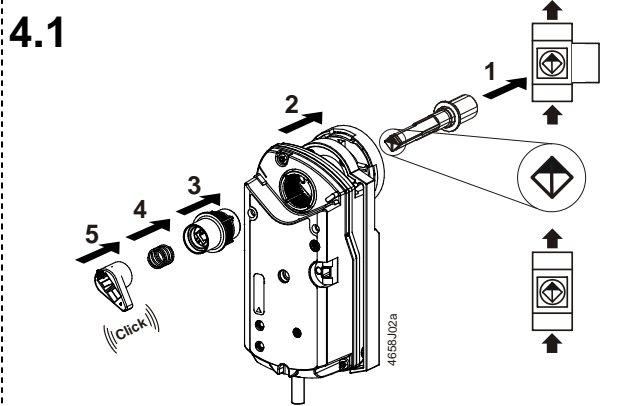
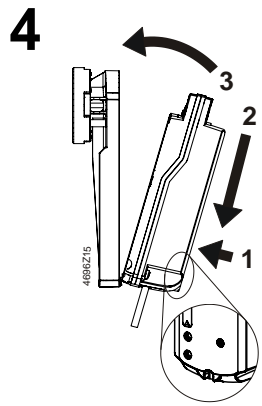
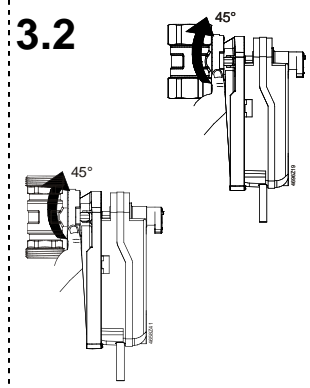
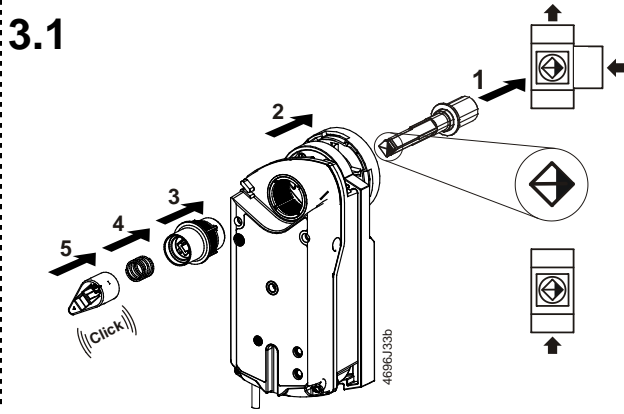
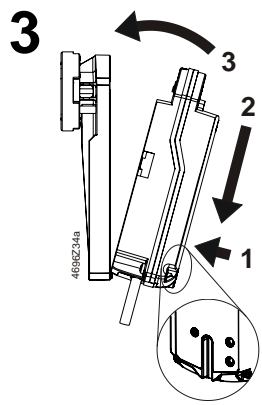
V..61.., DN 15...50 + GDB..1E
 V..61.., DN 15...50 + GLB..1E
 V..60.., DN 15...50 + GLB..1E



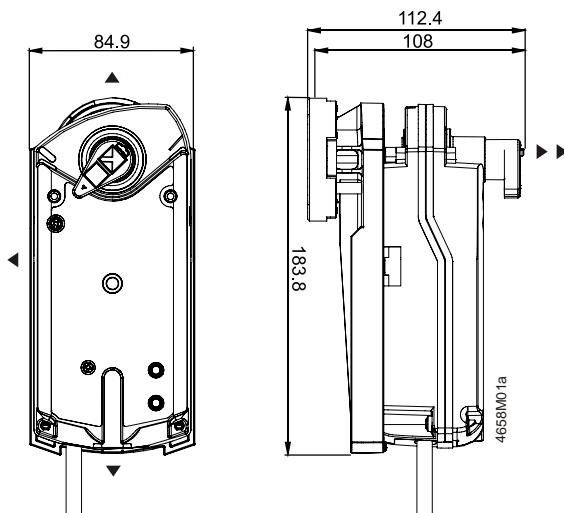
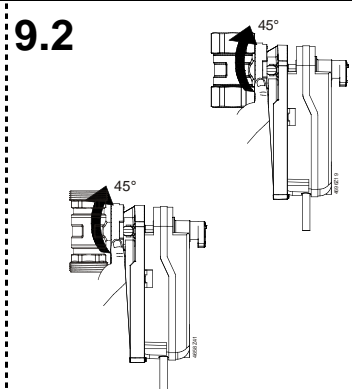
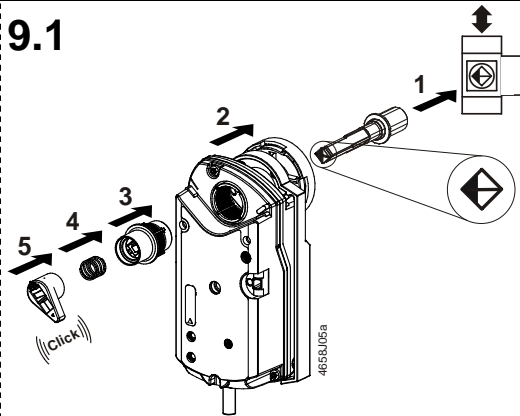
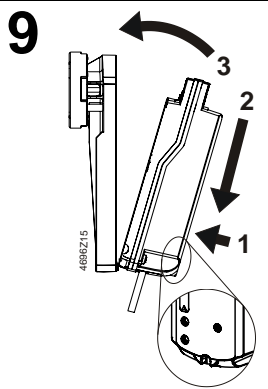
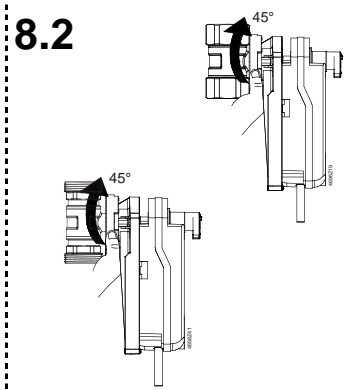
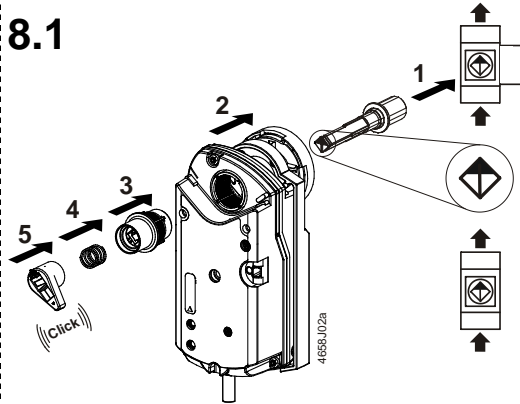
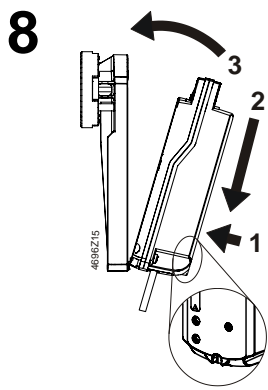
ASK77.2 + GMA..1E

- 1** ASK77.2 + GMA..1E + V..61.. ➔ 2 ... 6.2
 ASK77.2 + GMA..1E + V..60.. ➔ 7 ... 9.2





7			GMA..1E + V..60..
VA..60..	—		⇒ 8
VB..60..T			⇒ 8
VBI60..L			⇒ 9

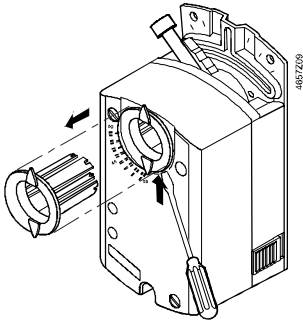


Minimum clearance from ceiling or wall for mounting, connection, operation, maintenance etc.

- ▶ = > 100 mm
- ▶▶ = > 200 mm

Masse in mm
Dimensions in mm
Dimensions en mm
Mått i mm
Afmetingen in mm
Dimensioni in mm
Mitat mm
Dimensiones en mm
Mål i mm
尺寸单位 mm

ASK77.3 + GDB..1E
ASK77.3 + GLB..1E



- 1** ASK77.3 + G..B..1E + V..61.. ➔ 2 ... 6.3
 ASK77.3 + GLB..1E + V..60.. ➔ 7 ... 9.3

	<p>NC Normally Closed</p> <p>only for GDB16..1E / GLB16..1E ➔ 3</p>
	<p>NO Normally Open</p> <p>only for GDB16..1E / GLB16..1E ➔ 4</p>
	<p>NC Normally Closed</p> <p>only for GDB16..1E / GLB16..1E ➔ 5</p>
	<p>NO Normally Open</p> <p>only for GDB16..1E / GLB16..1E ➔ 6</p>

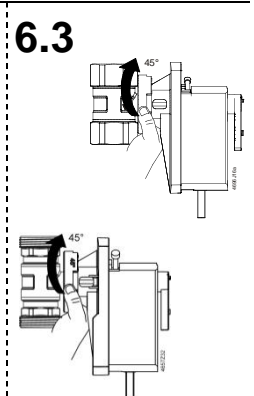
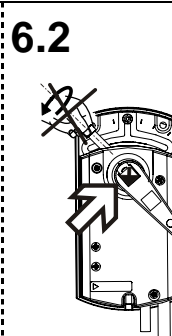
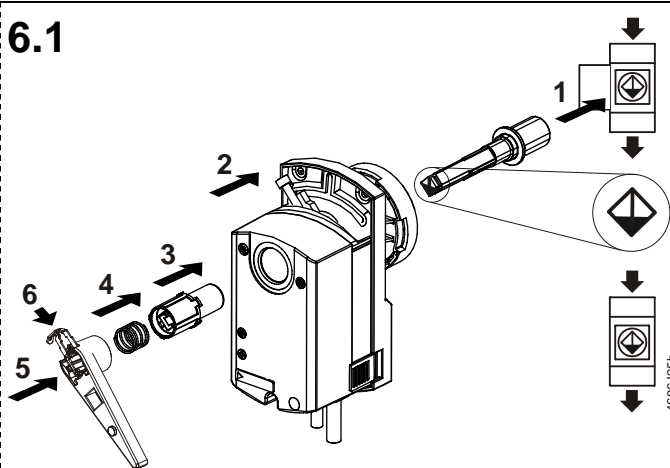
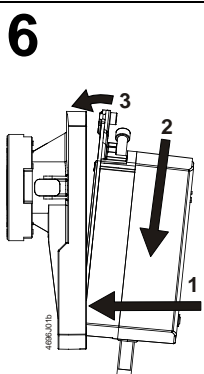
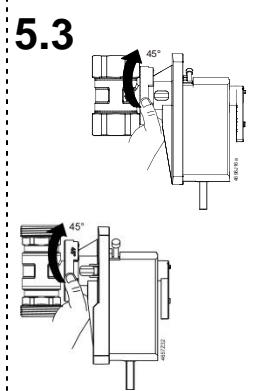
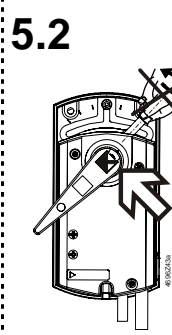
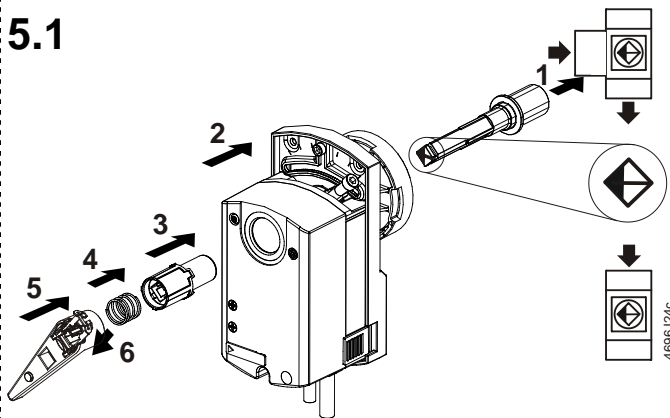
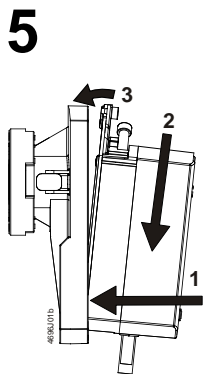
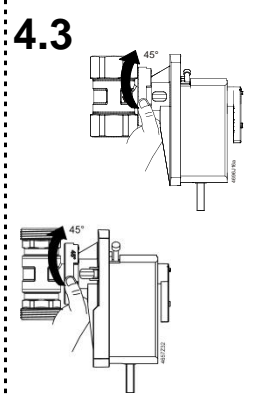
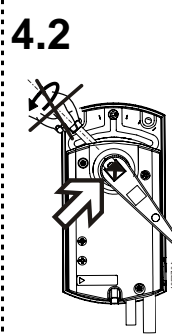
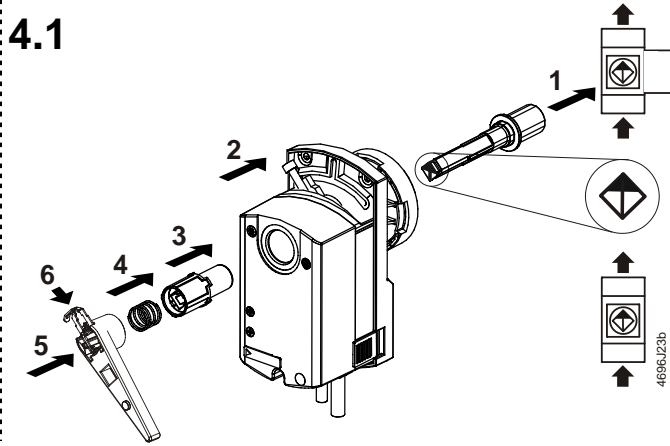
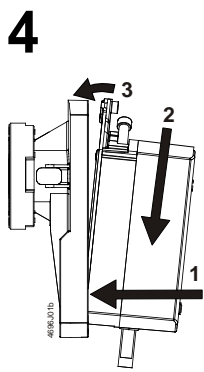
3

3.1

3.2

3.3

4696.12b, 4696.12c, 4696.12a, 4697.29, 4697.30, 4697.32

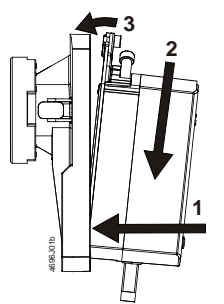


7

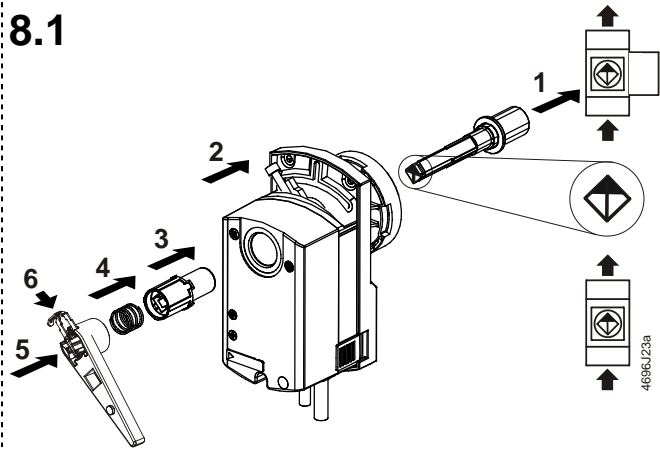
<p>GLB..1E</p>				<p>GLB..1E + V..60..</p>
<p>CW</p>	<p>VA..60..</p> <p>—</p>			<p>⇒ 8</p>
<p>self adapt</p>	<p>VB..60..T</p>			<p>⇒ 8</p>
<p>only for GLB16..1E</p>	<p>VBI60..L</p>			<p>⇒ 9</p>

4698Z49b

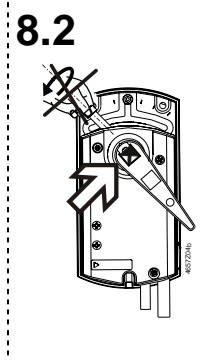
8



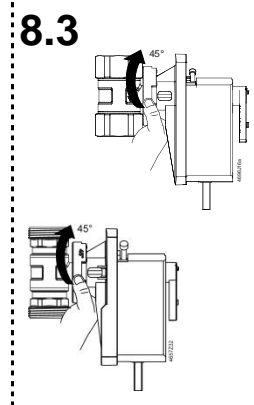
8.1



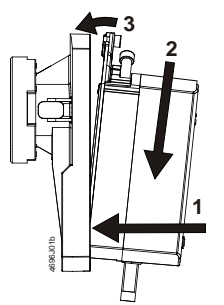
8.2



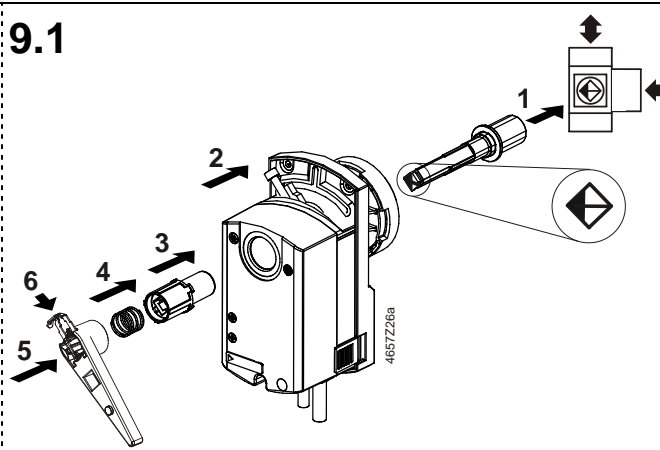
8.3



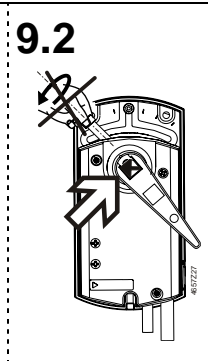
9



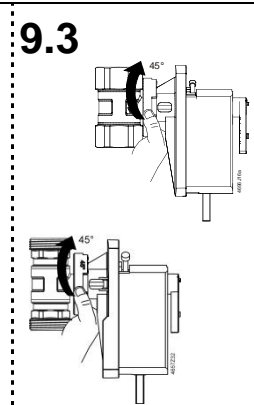
9.1

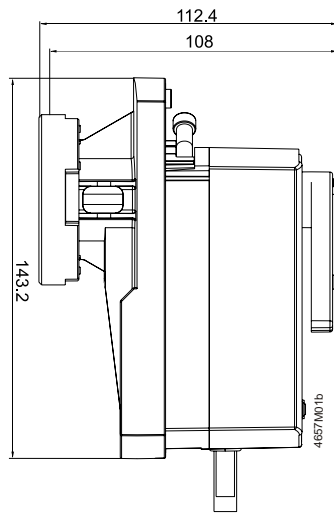
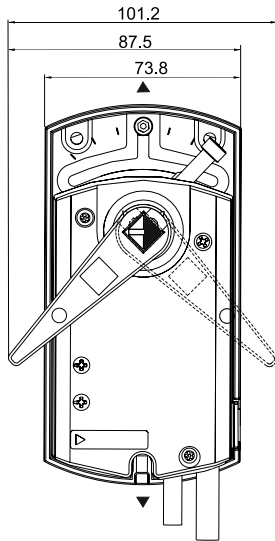


9.2



9.3





Minimum clearance from ceiling or wall for mounting, connection, operation, maintenance etc.

- ▶ = > 100 mm
- ▶▶ = > 200 mm

- ▶▶ Masse in mm
- ▶▶ Dimensions in mm
- ▶▶ Dimensions en mm
- ▶▶ Mått i mm
- ▶▶ Afmetingen in mm
- ▶▶ Dimensioni in mm
- ▶▶ Mitat mm
- ▶▶ Dimensiones en mm
- ▶▶ Mål i mm
- ▶▶ 尺寸单位 mm

